

AIR HANDLERS



Rheem
Prestige[®]
S E R I E S

AIR HANDLERS

RHKA- SERIES

featuring R-22 Refrigerant

RHKL- SERIES

featuring Earth-Friendly

R-410A Refrigerant



Features

- Includes an energy efficient GE[®] ECM[®] Motor, which in most applications, enhances the SEER rating of the outdoor unit. It also slowly ramps its speed up for quiet operation and enhanced customer satisfaction.
- Versatile 4-way convertible design for upflow, downflow, horizontal left and horizontal right applications.
- Nominal airflow up to 1.0" external static pressure.
- Factory-installed high efficiency indoor coil.
- Sturdy cabinet construction with 1.0 inch [25.4 mm] of foil faced insulation for excellent sound and insulating characteristics.
- Field-installed auxiliary electric heater kits provide exact heat for indoor comfort. Kits include circuit breakers which meet U.L. and cUL requirements for service disconnect.
- Dip switch settings for selectable, customized cooling airflow over a wide variety of applications.
- On-demand dehumidification terminal that adjusts airflow to help control humidity for unsurpassed comfort in cooling mode.
- External filter required.



Engineering Features

RHKA- AND RHKL- Series

- Quiet, efficient ECM motor technology providing nominal airflow up to 1.0 inch [25 kPa] of external static pressure.
- Interface board with dip switches conveniently located in the blower compartment allows for precise, field selectable airflow to meet the requirements of particular applications.
- Selectable continuous fan “on” options.
- The most compact unit design available.
- Attractive pre-painted cabinet exterior.
- Rugged steel cabinet construction, designed for added strength and versatility.
- 1.0" foil faced insulation mechanically retained in blower compartment.
- Four leg rubber insulated motor mount.
- Field-installed auxiliary heater kit includes circuit breakers that meet UL and cUL requirements as a service disconnect switch.
- Blower housing with integrated controls, motor and blower. Slide out design for service and maintenance convenience.
- Field convertible for vertical upflow, vertical downflow, horizontal left hand or right hand air supply.
- Combustible floor base accessory available when required for downflow installations on combustible floors.
- Indoor coil design provides low air side pressure drop, high performance and extremely compact size. All coils come with PVC condensate elbow standard.
- Coils are constructed of aluminum fins bonded to internally grooved copper tubing.
- Molded polymer corrosion resistant condensate drain pan is provided on all indoor coils.
- Supply duct flanges provided as standard on air handler cabinet.
- Provisions for field electrical connections available from either side or top of the air handler cabinet.
- Connection point for high voltage wiring is inside the air handler cabinet. Low voltage connection is made on the outside of the air handler cabinet.
- Concentric knockouts are provided for power connection to cabinet. Installer may pull desired hole size up to 2 inches [51 mm] for 1½ inch [38 mm] conduit.
- Internal checked TX valves are used on the Heat Pump indoor coil for more quiet refrigerant metering.
- Front refrigerant and drain connections.

[] Designates Metric Conversions

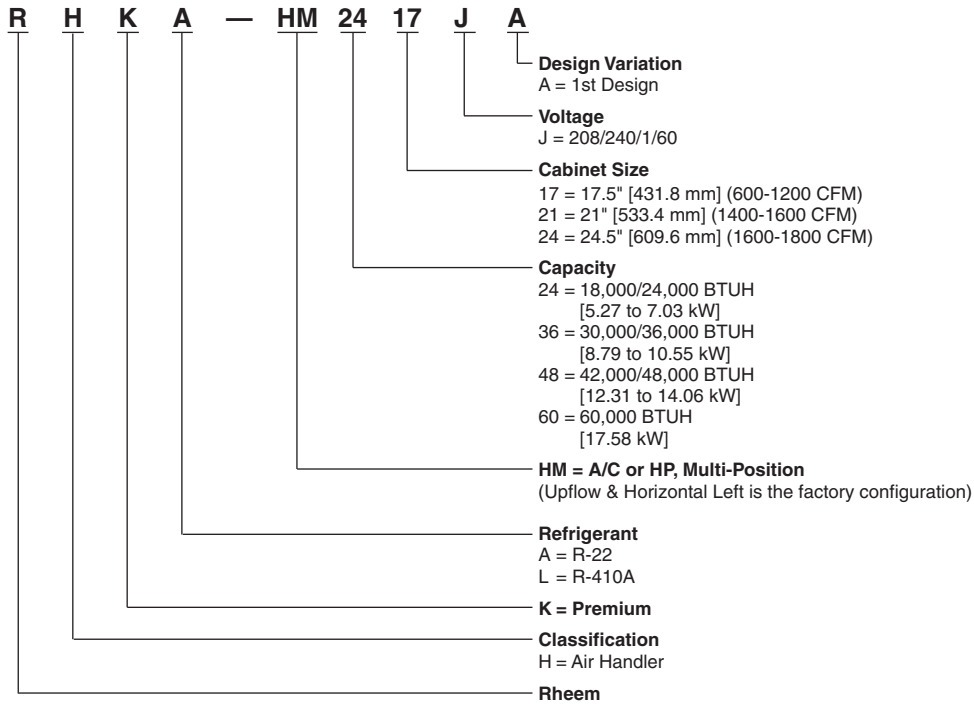
GENERAL TERMS OF LIMITED WARRANTY

Rheem will furnish a replacement for any part of this product which fails in normal use and service within the applicable periods stated, in accordance with the terms of the limited warranty.

For Complete Details of the Limited Warranty, Including Applicable Terms and Conditions, See Your Local Installer or Contact the Manufacturer for a Copy.

Indoor Coil leaks caused by	
factory defects	Five (5) Years
Electric Heating Element.....	Five (5) Years
Any Other Part	Five (5) Years

MODEL NUMBER DATA



[] Designates Metric Conversions

AVAILABLE MODELS	
R-22 MODELS	R-410A MODELS
RHKA-HM2417JA	RHKL-HM2417JA
RHKA-HM3617JA	RHKL-HM3617JA
RHKA-HM4821JA	RHKL-HM4821JA
RHKA-HM4824JA	RHKL-HM4824JA
RHKA-HM6024JA	RHKL-HM6024JA

Unit Dimensions

ELECTRICAL CONNECTIONS
MAY EXIT TOP OR EITHER SIDE

HIGH VOLTAGE CONNECTION $7/8"$ [22.2 mm], $1\frac{3}{32}"$ [27.8 mm], $1\frac{31}{32}"$ [50 mm] DIA. KNOCKOUTS. IF LARGER REQUIRED, PULL HOLE SIZE REQUIRED UP TO $2"$ [50.8 mm] DIA. FOR $1\frac{1}{2}"$ [38.1 mm] CONDUIT

LOW VOLTAGE CONNECTION $5/8"$ [15.9 mm] AND $7/8"$ [22.2 mm] KNOCKOUT (OUTSIDE OF CABINET)

AUXILIARY DRAIN CONNECTION $3/4"$ [19.1 mm] FEMALE PIPE THREAD (NPT) HORIZONTAL APPLICATION ONLY

PRIMARY DRAIN CONNECTION $3/4"$ [19.1 mm] FEMALE PIPE THREAD (NPT)

AUXILIARY DRAIN CONNECTION $3/4"$ [19.1 mm] FEMALE PIPE THREAD (NPT) UPFLOW/DOWNFLOW APPLICATION ONLY

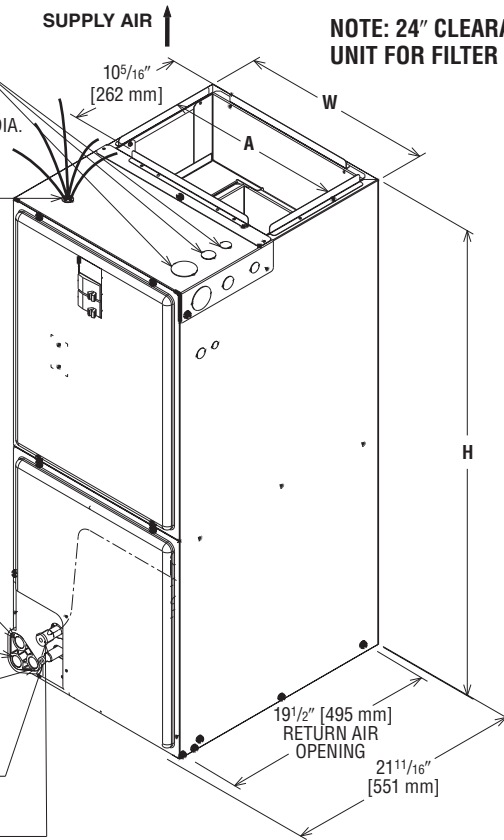
LIQUID LINE CONNECTION COPPER (SWEAT)

VAPOR LINE CONNECTION COPPER (SWEAT)

DOWNFLOW APPLICATION AND HORIZONTAL RIGHT
INDOOR COIL AND COIL DOOR ROTATES 180°

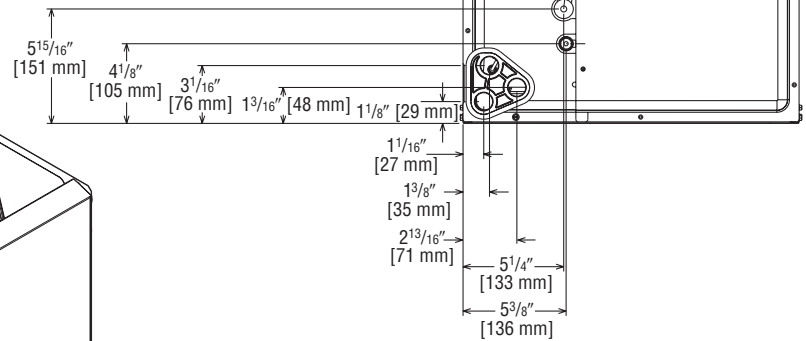
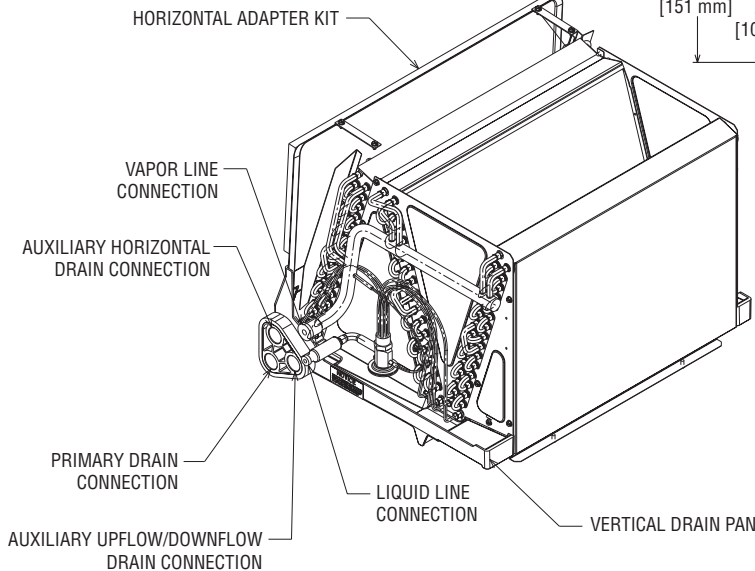
SUPPLY AIR ↑

NOTE: 24" CLEARANCE REQUIRED IN FRONT OF UNIT FOR FILTER AND COIL MAINTENANCE.



Return Air Opening Dimensions

Model Cabinet Size	Return Air Opening Width (Inches)	Return Air Opening Depth/Length (Inches)
17	16	19 1/2
21	19 1/2	19 1/2
24	23	19 1/2



UPFLOW UNIT SHOWN:
UNIT MAY BE INSTALLED UPFLOW,
DOWNFLOW, HORIZONTAL RIGHT
OR LEFT AIR SUPPLY.

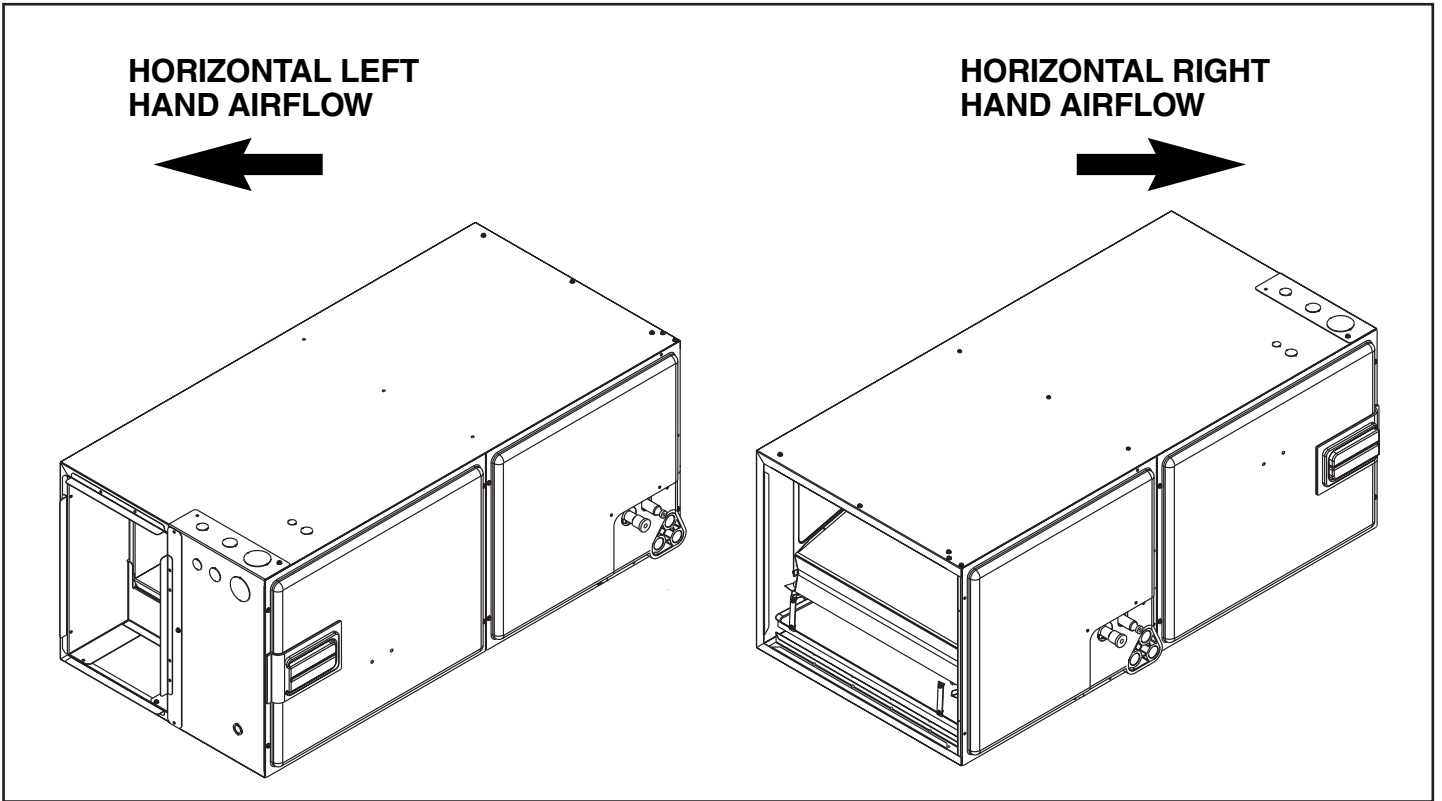
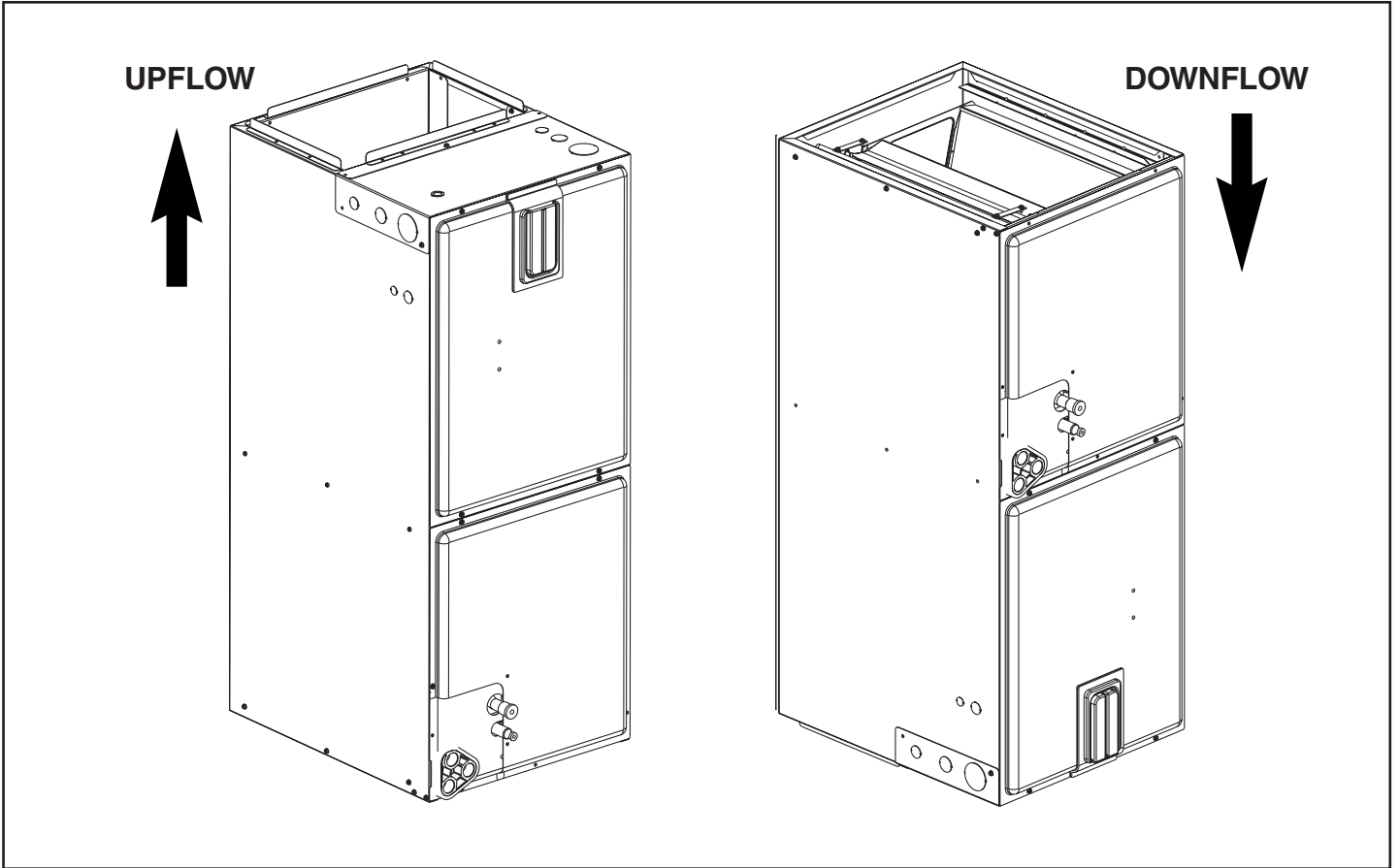
[] Designates Metric Conversions

() Designates Unit with Double Coil Cabinet

Unit Dimensions & Weights

Nominal Cooling Capacity Tons	Model Cabinet Size	Unit Width "W" In. [mm]	Unit Height "H" In. [mm]	Supply Duct "A" In. [mm]	Air Flow CFM (Nom.) [L/s]		Unit Weight/Shipping Weight (Lbs.) [kg]
					Lo	Hi	
1 1/2 & 2	17	17 1/2 [445]	42 1/2 [1080]	16 [406]	600 [283]	800 [378]	82/96 [37/44]
2 1/2 & 3	17	17 1/2 [445]	42 1/2 [1080]	16 [406]	1000 [472]	1200 [566]	92/106 [37/48]
3 1/2 & 4	21	21 [533]	50 1/2 [1282]	19 1/2 [495]	1400 [661]	1600 [755]	150/166 [68/75]
4	24	24 1/2 [622]	55 1/2 [1410]	23 [584]	1600 [755]	—	162/180 [73/81]
5	24	24 1/2 [622]	55 1/2 [1410]	23 [584]	—	1800 [850]	181/198 [82/90]

Airflow Directions



Airflow Performance

Airflow performance data is based on cooling performance with a coil and no filter in place. Select performance table for appropriate unit size, voltage and number of electric heaters to be used. Make sure external static applied to unit allows operation within the minimum and maximum limits shown in table

below for both cooling and electric heat operation. For optimum blower performance, operate the unit in the .1 [2.54 mm] to 1.00 inches [25.4 mm] W.C. external static range. Units with coils should be applied with a minimum of .1 inch [2.54 mm] W.C., external static.

Airflow Performance and Electrical Data

Model No.	Tonnage Application	Motor Speed From Factory	Nominal Air-Flow CFM	Blower Size/ Motor HP [W]		ECM									
						CFM Air Delivery/RPM/Watts—230 Volts									
						External Static Pressure—Inches W.C. [kPa]									
						0.1 [.02]	0.2 [.05]	0.3 [.07]	0.4 [.10]	0.5 [.12]	0.6 [.15]	0.7 [.17]	0.8 [.20]	0.9 [.22]	1.0 [.24]
2417 No Heater	1.5 Ton	High	600*	10x6 1/3 [249]	CFM [L/s]	613 [289]	613 [289]	656 [310]	656 [310]	658 [311]	656 [310]	656 [310]	653 [308]	651 [307]	647 [305]
					RPM	525	626	728	778	823	871	935	987	1025	1079
					Watts	56	68	95	120	138	152	168	191	202	222
2417 with 13 kW Heat	1.5 Ton	High	600*	10x6 1/3 [249]	CFM [L/s]	604 [285]	603 [285]	645 [304]	644 [304]	645 [304]	642 [303]	641 [303]	637 [301]	634 [299]	629 [297]
					RPM	535	641	748	803	853	906	975	1032	1075	1134
					Watts	61	75	104	131	151	167	185	210	223	245
2417 No Heat	2.0 Ton	High	800*	10x6 1/3 [249]	CFM [L/s]	832 [393]	832 [393]	835 [394]	849 [401]	851 [402]	852 [402]	861 [406]	862 [407]	862 [407]	862 [407]
					RPM	649	718	775	835	886	947	999	1043	1080	1131
					Watts	114	132	157	183	202	232	263	290	306	339
2417 with 13 kW Heat	2.0 Ton	High	800*	10x6 1/3 [249]	CFM [L/s]	814 [384]	814 [384]	817 [386]	831 [392]	833 [393]	834 [394]	843 [398]	844 [398]	844 [398]	844 [398]
					RPM	666	771	828	888	939	1000	1052	1096	1133	1185
					Watts	131	151	177	205	226	257	290	319	336	371
3617 No Heat	2.5 Ton	High	1000*	10x8 1/2 [373]	CFM [L/s]	1001 [472]	1030 [486]	1030 [486]	1035 [488]	1035 [488]	1029 [486]	1029 [486]	1029 [486]	1029 [486]	1023 [483]
					RPM	652	752	812	845	923	945	1007	1065	1090	1118
					Watts	134	166	193	212	244	266	280	320	341	357
3617 with 18 kW Heat	2.5 Ton	High	1000*	10x8 1/2 [373]	CFM [L/s]	980 [463]	1009 [476]	1009 [476]	1014 [479]	1014 [479]	1008 [476]	1008 [476]	1008 [476]	1008 [476]	1002 [473]
					RPM	714	814	874	907	985	1007	1069	1127	1152	1180
					Watts	176	208	235	254	286	308	322	362	383	399
3617 No Heat	3.0 Ton	High	1200*	10x8 1/2 [373]	CFM [L/s]	1220 [576]	1229 [580]	1229 [580]	1229 [580]	1229 [580]	1229 [580]	1238 [584]	1238 [584]	1233 [582]	1228 [580]
					RPM	732	831	875	930	981	1005	1077	1108	1156	1194
					Watts	215	253	282	314	348	362	409	426	472	496
3617 with 18 kW Heat	3.0 Ton	High	1200*	10x8 1/2 [373]	CFM [L/s]	1199 [566]	1208 [570]	1208 [570]	1208 [570]	1208 [570]	1208 [570]	1217 [574]	1217 [574]	1212 [572]	1207 [570]
					RPM	794	893	937	992	1043	1067	1139	1170	1218	1256
					Watts	257	295	324	356	390	404	451	468	514	538
4821 No Heat	3.5 Ton	High	1400*	10x10 3/4 [559]	CFM [L/s]	1395 [658]	1404 [663]	1413 [667]	1413 [667]	1411 [666]	1411 [666]	1402 [662]	1391 [656]	1380 [651]	1371 [647]
					RPM	731	807	859	910	968	1016	1057	1100	1128	1158
					Watts	240	273	308	349	383	411	436	468	496	513
4821 with 20 kW Heat	3.5 Ton	High	1400*	10x10 3/4 [559]	CFM [L/s]	1379 [651]	1382 [652]	1385 [654]	1380 [651]	1372 [648]	1367 [645]	1352 [638]	1336 [631]	1319 [622]	1305 [616]
					RPM	765	846	902	958	1020	1073	1118	1166	1198	1233
					Watts	261	300	340	387	426	460	490	528	561	584
4821 No Heat	4.0 Ton	High	1600*	10x10 3/4 [559]	CFM [L/s]	1583 [747]	1583 [747]	1583 [747]	1590 [750]	1582 [747]	1566 [739]	1572 [742]	1556 [734]	1547 [730]	1539 [726]
					RPM	826	879	933	984	1025	1067	1119	1148	1176	1219
					Watts	342	375	410	454	486	523	552	585	614	616
4821 with 25 kW Heat	4.0 Ton	High	1600*	10x10 3/4 [559]	CFM [L/s]	1567 [740]	1559 [736]	1551 [732]	1550 [732]	1534 [724]	1510 [713]	1508 [712]	1484 [700]	1467 [692]	1452 [685]
					RPM	860	919	978	1035	1082	1129	1187	1222	1255	1304
					Watts	363	403	444	495	534	577	613	653	688	697
4824 No Heat	4.0 Ton	High	1600*	11x11 3/4 [559]	CFM [L/s]	1607 [758]	1615 [762]	1622 [765]	1630 [769]	1637 [773]	1629 [769]	1621 [765]	1614 [762]	1606 [758]	1583 [747]
					RPM	612	698	747	788	835	870	914	950	981	1018
					Watts	225	297	334	359	410	439	469	502	532	568
4824 with 25 kW Heat	4.0 Ton	High	1600*	11x11 3/4 [559]	CFM [L/s]	1587 [749]	1589 [750]	1589 [750]	1591 [751]	1591 [751]	1577 [744]	1562 [737]	1549 [731]	1534 [724]	1505 [710]
					RPM	658	748	802	847	899	938	987	1027	1062	1104
					Watts	246	325	369	401	459	495	532	572	609	652
6024 No Heat	5.0 Ton	High	1800*	11x11 3/4 [559]	CFM [L/s]	1794 [847]	1808 [853]	1808 [853]	1807 [853]	1807 [853]	1807 [853]	1807 [853]	1800 [850]	1786 [843]	1772 [836]
					RPM	676	739	787	840	871	923	950	994	1028	1050
					Watts	330	376	416	465	504	554	576	624	662	694
6024 with 30 kW Heat	5.0 Ton	High	1800*	11x11 3/4 [559]	CFM [L/s]	1756 [829]	1770 [835]	1770 [835]	1769 [835]	1769 [835]	1769 [835]	1769 [835]	1762 [832]	1748 [825]	1734 [818]
					RPM	713	778	828	884	917	971	1000	1047	1083	1107
					Watts	361	410	453	505	547	600	625	676	717	752

WARNING: Observe airflow operating limits. Do not operate above 1.0 in. W.C. system external static.

*The airflow for continuous fan is set at 50% of the cooling airflow.

[] Designates Metric Conversions

Blower Motor Electrical Data

Nominal Cooling Capacity Tons	Voltage	Phase	Hertz	HP [W]	RPM	Speeds	Circuit Amps.	Minimum Circuit Ampacity	Maximum Circuit Protector
1 1/2 & 2	208/240	1	60	1/3 [249]	300-1100	2	2.8	4.0	15
2 1/2 & 3	208/240	1	60	1/2 [373]	300-1100	2	4.3	6.0	15
3 1/2, 4 & 5	208/240	1	60	3/4 [559]	300-1100	2	6.8	9.0	15

Electric Heat Electrical Data

Installation of the U.L. Listed original equipment manufacturer provided heater kits listed in the table below is recommended for all auxiliary heating requirements.

Nominal Cooling Capacity Tons/ Cabinet Size	Heater Kit Model No.	Heater KW 208/240V	PH/HZ	No. Elements - KW Per	Type Supply Circuit Single Circuit Multiple Circuit	Circuit Amps.	Motor Ampacity	Minimum Circuit Ampacity	Maximum Circuit Protection
1 1/2 & 2 17	RXBH-17A03J	2.25/3.0	1/60	1 - 3.0	SINGLE	10.8/12.5	2.2	17/19	20/20
	RXBH-17A05J	3.6/4.8	1/60	1 - 4.8	SINGLE	17.3/20.0	2.2	25/28	25/30
	RXBH-17A07J	5.4/7.2	1/60	2 - 3.6	SINGLE	26.0/30.0	2.2	36/41	40/45
	RXBH-17A10J	7.2/9.6	1/60	2 - 4.8	SINGLE	34.6/40.0	2.2	46/53	50/60
	RXBH-17A13J	9.4/12.5	1/60	3-4.17	SINGLE	45.1/52.1	2.2	60/68	60/70
	RXBH-17A13J	3.1/4.2	1/60	1-4.17	MULTIPLE CKT 1	15.0/17.4	2.2	22/25	25/25
		6.3/8.3	1/60	2-4.17	MULTIPLE CKT 2	30.1/34.7	0	38/44	40/45
	RXBH-17A07C	5.4/7.2	3/60	3 - 2.4	SINGLE	15.0/17.3	2.2	22/25	25/25
RXBH-17A10C	7.2/9.6	3/60	3 - 3.2	SINGLE	20.0/23.1	2.2	28/32	30/35	
RXBH-17A13C	9.4/12.5	3/60	3 - 4.17	SINGLE	26.1/30.1	2.2	36/41	40/45	
2 1/2 & 3 17	RXBH-17A03J	2.25/3.0	1/60	1 - 3.0	SINGLE	10.8/12.5	3.1	18/20	20/20
	RXBH-17A05J	3.6/4.8	1/60	1 - 4.8	SINGLE	17.3/20.0	3.1	26/29	30/30
	RXBH-17A07J	5.4/7.2	1/60	2 - 3.6	SINGLE	26.0/30.0	3.1	37/42	40/45
	RXBH-17A10J	7.2/9.6	1/60	2 - 4.8	SINGLE	34.6/40.0	3.1	48/54	50/60
	RXBH-17A13J	9.4/12.5	1/60	3-4.17	SINGLE	45.1/52.1	3.1	61/69	70/70
	RXBH-17A13J	3.1/4.2	1/60	1-4.17	MULTIPLE CKT 1	15.0/17.4	3.1	23/26	25/30
		6.3/8.3	1/60	2-4.17	MULTIPLE CKT 2	30.1/34.7	0	38/44	40/45
	RXBH-17A15J	10.8/14.4	1/60	3-4.8	SINGLE	51.9/60.0	3.1	69/79	70/80
	RXBH-17A15J	3.6/4.8	1/60	1 - 4.8	MULTIPLE CKT 1	17.3/20.0	3.1	26/29	30/30
		7.2/9.6	1/60	2 - 4.8	MULTIPLE CKT 2	34.6/40.0	0	44/50	45/50
	RXBH-17A18J	12.8/17.0	1/60	3-5.68	SINGLE	61.6/70.8	3.1	81/93	90/100
	RXBH-17A18J	4.3/5.7	1/60	1-5.68	MULTIPLE CKT 1	20.5/23.6	3.1	30/34	30/35
		8.5/11.3	1/60	2 - 5.68	MULTIPLE CKT 2	41.1/47.2	0	52/59	60/60
	RXBH-17A07C	5.4/7.2	3/60	3 - 2.4	SINGLE	15.0/17.3	3.1	23/26	25/30
	RXBH-17A10C	7.2/9.6	3/60	3 - 3.2	SINGLE	20.0/23.1	3.1	29/33	30/35
	RXBH-17A13C	9.4/12.5	3/60	3 - 4.17	SINGLE	26.1/30.1	3.1	37/42	40/45
RXBH-17A15C	10.8/14.4	3/60	3 - 4.8	SINGLE	30.0/34.6	3.1	42/48	45/50	
RXBH-17A18C	12.8/17.0	3/60	3-5.68	SINGLE	35.5/41.0	3.1	49/56	50/60	
3 1/2 & 4 21	RXBH-24A05J	3.6/4.8	1/60	1 - 4.8	SINGLE	17.3/20.0	4.0	27/30	30/30
	RXBH-24A07J	5.4/7.2	1/60	2 - 3.6	SINGLE	26.0/30.0	4.0	38/43	40/45
	RXBH-24A10J	7.2/9.6	1/60	2 - 4.8	SINGLE	34.6/40.0	4.0	49/55	50/60
	RXBH-24A15J	10.8/14.4	1/60	3-4.8	SINGLE	51.9/60.0	4.0	70/80	70/80
	RXBH-24A15J	3.6/4.8	1/60	1 - 4.8	MULTIPLE CKT 1	17.3/20.0	4.0	27/30	30/30
		7.2/9.6	1/60	2 - 4.8	MULTIPLE CKT 2	34.6/40.0	0.0	44/50	45/50
	RXBH-24A18J	12.8/17	1/60	4-4.26	SINGLE	61.6/70.8	4.0	82/94	90/100
	RXBH-24A18J	6.4/8.5	1/60	2 - 4.26	MULTIPLE CKT 1	30.8/35.4	4.0	44/50	45/50
		6.4/8.5	1/60	2 - 4.26	MULTIPLE CKT 2	30.8/35.4	0.0	39/45	40/45
	RXBH-24A20J	14.4/19.2	1/60	4-4.8	SINGLE	69.2/80	4.0	92/105	100/110
	RXBH-24A20J	7.2/9.6	1/60	2 - 4.8	MULTIPLE CKT 1	34.6/40.0	4.0	49/55	50/60
		7.2/9.6	1/60	2 - 4.8	MULTIPLE CKT 2	34.6/40.0	0.0	44/50	45/50
	RXBH-24A25J	18.0/24.0	1/60	6-4.0	SINGLE	86.4/99.9	4.0	113/130	125/150
	RXBH-24A25J (4-ton only)	6.0/8.0	1/60	2 - 4.0	MULTIPLE CKT 1	28.8/33.3	4.0	42/47	45/50
		6.0/8.0	1/60	2 - 4.0	MULTIPLE CKT 2	28.8/33.3	0.0	36/42	40/45
		6.0/8.0	1/60	2 - 4.0	MULTIPLE CKT 3	28.8/33.3	0.0	36/42	40/45
RXBH-24A07C	5.4/7.2	3/60	3 - 2.4	SINGLE	15.0/17.3	4.0	24/27	25/30	

- Electric heater BTUH - (heater watts + motor watts) x 3.414 (see airflow table for motor watts.)
- Supply circuit protective devices may be fuses or "HACR" type circuit breakers.
- Largest motor load is included in single circuit and multiple circuit 1.
- If non-standard fuse size is specified, use next size larger standard fuse size.
- J Voltage (230V) single phase air handler is designed to be used with single or three phase 230 volt electric heaters. In the case of connecting 3-phase power to the air handler terminal block without the heater, bring only two leads to the terminal block. Cap, insulate and fully secure the third lead.
- If the kit is listed under both single and multiple circuits, the kit is shipped from factory as multiple circuits. For single phase application, Jumper bar kit RXBJ-A21 and RXBJ-A31 can be used to convert multiple circuits to a single supply circuit. Refer to Accessory Section for details.
- The airflow for continuous fan is set 50% of the cooling airflow.

Electric Heat Electrical Data (Cont.)

Installation of the U.L. Listed original equipment manufacturer provided heater kits listed in the table below is recommended for all auxiliary heating requirements.

Nominal Cooling Capacity Tons/ Cabinet Size	Heater Kit Model No.	Heater KW 208/240V	PH/HZ	No. Elements - KW Per	Type Supply Circuit Single Circuit Multiple Circuit	Circuit Amps.	Motor Ampacity	Minimum Circuit Ampacity	Maximum Circuit Protection
3 1/2 & 4 21	RXBH-24A10C	7.2/9.6	3/60	3 - 3.2	SINGLE	20.0/23.1	4.0	30/34	30/35
	RXBH-24A15C	10.8/14.4	3/60	3 - 4.8	SINGLE	30.0/34.6	4.0	43/49	45/50
	RXBH-24A18C	12.8/17.0	3/60	3-2.84	SINGLE	35.6/41.0	4.0	50/57	50/60
	RXBH-24A20C*	14.4/19.2	3/60	3-3.2	SINGLE	40.0/46.2	4.0	55/63	60/70
	RXBH-24A20C	7.2/9.6	3/60	3 - 3.2	MULTIPLE CKT 1	20.0/23.1	4.0	30/34	30/35
		7.2/9.6	3/60	3 - 3.2	MULTIPLE CKT 2	20.0/23.1	0.0	25/29	25/30
	RXBH-24A25C*	18.0/24.0	3/60	6-4.0	SINGLE	50.0/57.8	4.0	68/78	70/80
RXBH-24A25C (4-ton only)	9.0/12.0	3/60	3 - 4.0	MULTIPLE CKT 1	25.0/28.9	4.0	37/42	40/45	
	9.0/12.0	3/60	3 - 4.0	MULTIPLE CKT 2	25.0/28.9	0.0	32/37	35/40	
4 & 5 24	RXBH-24A05J	3.6/4.8	1/60	1 - 4.8	SINGLE	17.3/20.0	4.4	30/35	28/31
	RXBH-24A07J	5.4/7.2	1/60	2 - 3.6	SINGLE	26.0/30.0	4.4	38/43	40/45
	RXBH-24A10J	7.2/9.6	1/60	2 - 4.8	SINGLE	34.6/40.0	4.4	49/56	50/60
	RXBH-24A15J	10.8/14.4	1/60	3-4.8	SINGLE	51.9/60.0	4.4	71/81	80/90
		3.6/4.8	1/60	1 - 4.8	MULTIPLE CKT 1	17.3/20.0	4.4	28/31	30/35
	RXBH-24A15J	7.2/9.6	1/60	2 - 4.8	MULTIPLE CKT 2	34.6/40.0	0	44/50	45/50
		12.8/17	1/60	4-4.26	SINGLE	61.6/70.8	4.4	83/94	90/100
	RXBH-24A18J	6.4/8.5	1/60	2 - 4.26	MULTIPLE CKT 1	30.8/35.4	4.4	44/50	45/50
		6.4/8.5	1/60	2 - 4.26	MULTIPLE CKT 2	30.8/35.4	0	39/45	40/45
	RXBH-24A20J	14.4/19.2	1/60	4-4.8	SINGLE	69.2/80	4.4	93/106	100/110
	RXBH-24A20J	7.2/9.6	1/60	2 - 4.8	MULTIPLE CKT 1	34.6/40.0	4.4	49/56	50/60
		7.2/9.6	1/60	2 - 4.8	MULTIPLE CKT 2	34.6/40.0	0	44/50	45/50
	RXBH-24A25J	18.0/24.0	1/60	6-4.0	SINGLE	86.4/99.9	4.4	114/131	125/150
	RXBH-24A25J	6.0/8.0	1/60	2 - 4.0	MULTIPLE CKT 1	28.8/33.3	4.4	42/48	45/50
		6.0/8.0	1/60	2 - 4.0	MULTIPLE CKT 2	28.8/33.3	0	36/42	40/45
		6.0/8.0	1/60	2 - 4.0	MULTIPLE CKT 3	28.8/33.3	0	36/42	40/45
	RXBH-24A30J	21.6/28.8	1/60	6-4.8	SINGLE	103.8/120.	4.4	136/156	150/175
	RXBH-24A30J (5-ton only)	7.2/9.6	1/60	2 - 4.8	MULTIPLE CKT 1	34.6/40.0	4.4	49/56	50/60
		7.2/9.6	1/60	2 - 4.8	MULTIPLE CKT 2	34.6/40.0	0	44/50	45/50
		7.2/9.6	1/60	2 - 4.8	MULTIPLE CKT 3	34.6/40.0	0	44/50	45/50
	RXBH-24A07C	5.4/7.2	3/60	3 - 2.4	SINGLE	15.0/17.3	4.4	25/28	25/30
	RXBH-24A10C	7.2/9.6	3/60	3 - 3.2	SINGLE	20.0/23.1	4.4	31/35	35/35
	RXBH-24A15C	10.8/14.4	3/60	3 - 4.8	SINGLE	30.0/34.6	4.4	43/49	45/50
	RXBH-24A18C	12.8/17.0	3/60	3-2.84	SINGLE	35.6/41.0	4.4	50/57	50/60
	RXBH-24A20C*	14.4/19.2	3/60	3-3.2	SINGLE	40.0/46.2	4.4	56/64	60/70
	RXBH-24A20C	7.2/9.6	3/60	3 - 3.2	MULTIPLE CKT 1	20.0/23.1	4.4	31/35	35/35
		7.2/9.6	3/60	3 - 3.2	MULTIPLE CKT 2	20.0/23.1	0	25/29	25/30
	RXBH-24A25C*	18.0/24.0	3/60	6-4.0	SINGLE	50.0/57.8	4.4	68/78	70/80
	RXBH-24A25C	9.0/12.0	3/60	3 - 4.0	MULTIPLE CKT 1	25.0/28.9	4.4	37/42	40/45
		9.0/12.0	3/60	3 - 4.0	MULTIPLE CKT 2	25.0/28.9	0	32/37	35/40
RXBH-24A30C*	21.6/28.8	3/60	6-4.8	SINGLE	60.0/69.4	4.4	81/93	90/100	
RXBH-24A30C (5-ton only)	10.8/14.4	3/60	3 - 4.8	MULTIPLE CKT 1	30.0/34.7	4.4	43/49	45/50	
	10.8/14.4	3/60	3 - 4.8	MULTIPLE CKT 2	30.0/34.7	0	38/44	40/45	

* Values only. No single point kit available.

- Electric heater BTUH - (heater watts + motor watts) x 3.414 (see airflow table for motor watts.)
- Supply circuit protective devices may be fuses or "HACR" type circuit breakers.
- Largest motor load is included in single circuit and multiple circuit 1.
- If non-standard fuse size is specified, use next size larger standard fuse size.
- J Voltage (230V) single phase air handler is designed to be used with single or three phase 230 volt electric heaters. In the case of connecting 3-phase power to the air handler terminal block without the heater, bring only two leads to the terminal block. Cap, insulate and fully secure the third lead.
- If the kit is listed under both single and multiple circuits, the kit is shipped from factory as multiple circuits. For single phase application, Jumper bar kit RXBJ-A21 and RXBJ-A31 can be used to convert multiple circuits to a single supply circuit. Refer to Accessory Section for details.
- The airflow for continuous fan is set 50% of the cooling airflow.

[] Designates Metric Conversions

Accessories-Kits—Parts

• Combustible Floor Base RXHB-

Model Cabinet Size	Combustible Floor Base Model Number
17	RXHB-17
21	RXHB-21
24	RXHB-24

- **Jumper Bar Kit 3 Ckt. to 1 Ckt. RXBJ-A31** is used to convert single phase multiple three circuit units to a single supply circuit. Kit includes cover and screw for line side terminals.
- **Jumper Bar Kit 2 Ckt. to 1 Ckt. RXBJ-A21** is used to convert single phase multiple two circuit units to a single supply circuit. Kit includes cover and screw for line side terminals.
- **Note:** No jumper bar kit is available to convert three phase multiple two circuit units to a single supply circuit.
- **External Filter Base RXHF-**

Model Cabinet Size	Filter Size In. [mm]	Part Number*	A	B
17	16 x 20 [406 x 508]	RXHF-17	15.70	17.50
21	20 x 20 [508 x 508]	RXHF-21	19.20	21.00
24	25 x 20 [635 x 508]	RXHF-24	22.70	25.50

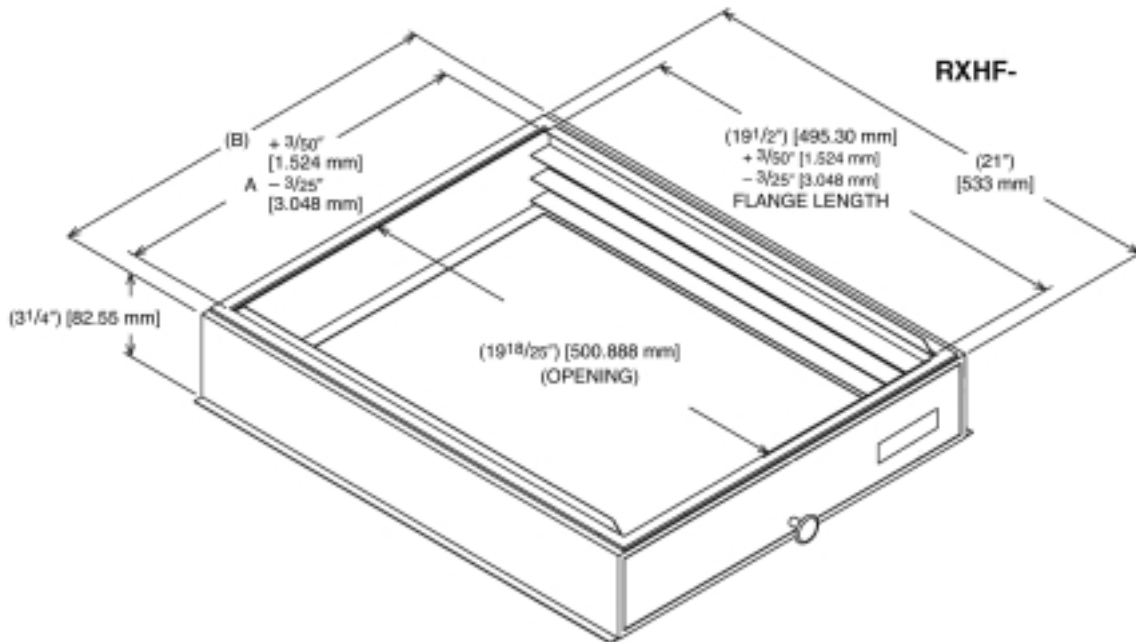
*Accommodates 1" or 2" filter

• Auxiliary Horizontal Overflow Pan Accessory RXBM-

Nominal Cooling Capacity-Tons	Auxiliary Horizontal Overflow Pan Accessory Model Number
1½ - 3	RXBM-AC48
3½ - 5	RXBM-AC61

- **Auxiliary Electric Heater Kits RXBH-**
Heater Kits include circuit breakers which meet UL and cUL requirements for service disconnect. See the Electric Heat Electrical Data in this specification sheet for specific Heater Kit Model numbers.
- **Horizontal Adapter Kit RXHH-**
This horizontal adapter kit is used to convert Upflow/Downflow only models to horizontal flow. See the following table to order proper horizontal adapter kit.

Coil Model	Horizontal Adapter Kit Model Number (Single Qty.)	Horizontal Adapter Kit Model Number (10-Pack Qty.)
2414	RXHH-A01	RXHH-A01 x 10
2417	RXHH-A02	RXHH-A02 x 10
3617/3621	RXHH-A03	RXHH-A03 x 10
4821/4824	RXHH-A04	RXHH-A04 x 10
8024	RXHH-A05	RXHH-A05 x 10



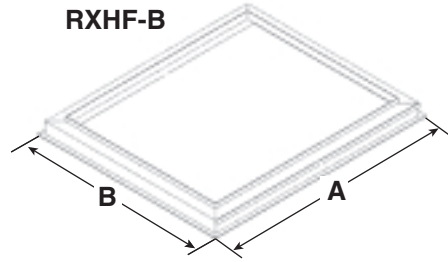
Accessories-Kits—Parts (Cont.)

• External Filter Base RXHF-B17, B21, B24

Model Cabinet Size	Filter Size In. [mm]	Part Number*	A	B
17	16 x 20 [406 x 508]	RXHF-B17	16.90	20.77
21	20 x 20 [508 x 508]	RXHF-B21	20.40	20.77
24	25 x 20 [635 x 508]	RXHF-B24	25.00	21.04

*Accommodates 1" filter

[] Designates Metric Conversions



NOTES

Before proceeding with installation, refer to installation instructions packaged with each model, as well as complying with all Federal, State, Provincial, and Local codes, regulations, and practices.

**RHEEM
AIR CONDITIONING
DIVISION**

5600 Old Greenwood Road, Fort Smith, Arkansas 72908



"In keeping with its policy of continuous progress and product improvement, Rheem reserves the right to make changes without notice."