

AIR HANDLERS



Rheem
Prestige[®]
S E R I E S

AIR HANDLERS RHPL- SERIES – 16 SEER featuring Earth-Friendly R-410A Refrigerant



Features

- Includes an energy efficient GE[®] ECM[®] Motor, which in most applications, enhances the SEER rating of the outdoor unit. It also slowly ramps its speed up for quiet operation and enhanced customer satisfaction.
- Versatile 4-way convertible design for upflow, downflow, horizontal left and horizontal right applications.
- Nominal airflow up to 1.0" external static pressure.
- Factory-installed high efficiency indoor coil.
- Sturdy cabinet construction with 1.0 inch [25.4 mm] of foil faced insulation for excellent sound and insulating characteristics.
- Field-installed auxiliary electric heater kits provide exact heat for indoor comfort. Kits include circuit breakers which meet U.L. and cUL requirements for service disconnect.
- Dip switch settings for selectable, customized cooling airflow over a wide variety of applications.
- On-demand dehumidification terminal that adjusts airflow to help control humidity for unsurpassed comfort in cooling mode.
- External filter required.



Engineering Features

RHPL- Series

- Quiet, efficient ECM motor technology providing nominal airflow up to 1.0 inch [25 kPa] of external static pressure.
- Interface board with dip switches conveniently located in the blower compartment allows for precise, field selectable airflow to meet the requirements of particular applications.
- Selectable continuous fan “on” options.
- The most compact unit design available.
- Attractive pre-painted cabinet exterior.
- Rugged steel cabinet construction, designed for added strength and versatility.
- 1.0" foil faced insulation mechanically retained in blower compartment.
- Four leg rubber insulated motor mount.
- Field-installed auxiliary heater kit includes circuit breakers that meet UL and cUL requirements as a service disconnect switch.
- Blower housing with integrated controls, motor and blower. Slide out design for service and maintenance convenience.
- Field convertible for vertical upflow, vertical downflow, horizontal left hand or right hand air supply.
- Combustible floor base accessory available when required for downflow installations on combustible floors.
- Indoor coil design provides low air side pressure drop, high performance and extremely compact size. All coils come with PVC condensate elbow standard.
- Coils are constructed of aluminum fins bonded to internally grooved copper tubing.
- Molded polymer corrosion resistant condensate drain pan is provided on all indoor coils.
- Supply duct flanges provided as standard on air handler cabinet.
- Provisions for field electrical connections available from either side or top of the air handler cabinet.
- Connection point for high voltage wiring is inside the air handler cabinet. Low voltage connection is made on the outside of the air handler cabinet.
- Concentric knockouts are provided for power connection to cabinet. Installer may pull desired hole size up to 2 inches [51 mm] for 1½ inch [38 mm] conduit.
- Internal checked TX valves are used on the Heat Pump indoor coil for more quiet refrigerant metering.
- Front refrigerant and drain connections.

[] Designates Metric Conversions

GENERAL TERMS OF LIMITED WARRANTY

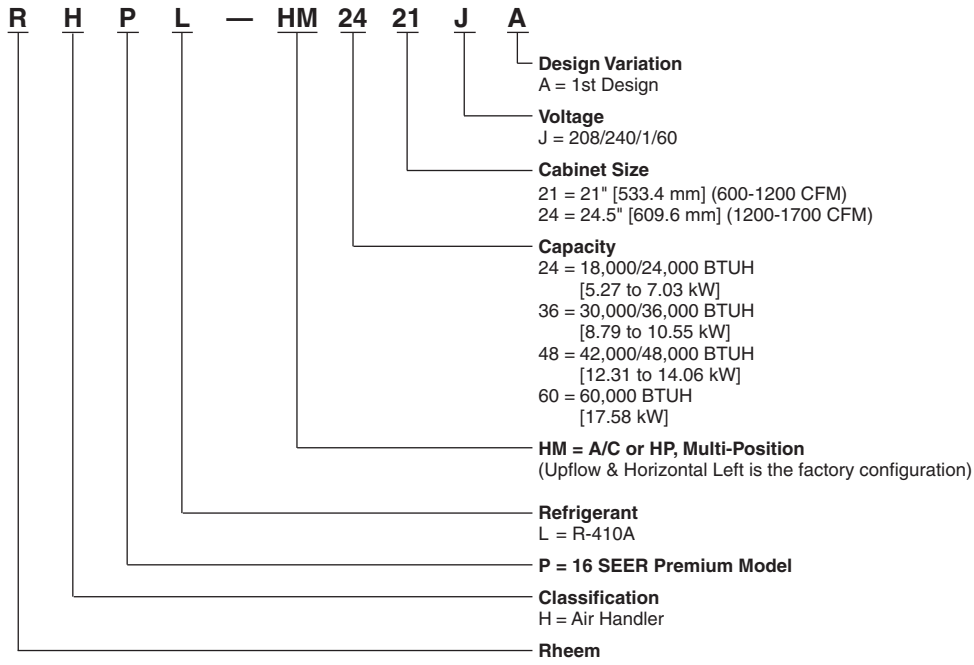
Rheem will furnish a replacement for any part of this product which fails in normal use and service within the applicable periods stated, in accordance with the terms of the limited warranty.

For Complete Details of the Limited Warranty, Including Applicable Terms and Conditions, See Your Local Installer or Contact the Manufacturer for a Copy.

Rheem *Prestige Series*® equipment features a 10-year limited parts warranty.*

***This 10-year limited parts warranty is applicable only to single-phase products installed in residential applications.**

MODEL NUMBER DATA



Available Models
RHPL-HM2421JA
RHPL-HM3621JA
RHPL-HM4824JA
RHPL-HM6024JA

Unit Dimensions

ELECTRICAL CONNECTIONS
MAY EXIT TOP OR EITHER SIDE

HIGH VOLTAGE CONNECTION 7/8" [22.2 mm],
1 3/32" [27.8 mm], 1 31/32" [50 mm] DIA.
KNOCKOUTS. IF LARGER REQUIRED,
PULL HOLE SIZE REQUIRED UP TO 2" [50.8 mm] DIA.
FOR 1 1/2" [38.1 mm] CONDUIT

LOW VOLTAGE CONNECTION
5/8" [15.9 mm] AND 7/8" [22.2 mm] KNOCKOUT

AUXILIARY DRAIN CONNECTION
3/4" [19.1 mm] FEMALE PIPE THREAD (NPT)
HORIZONTAL APPLICATION ONLY

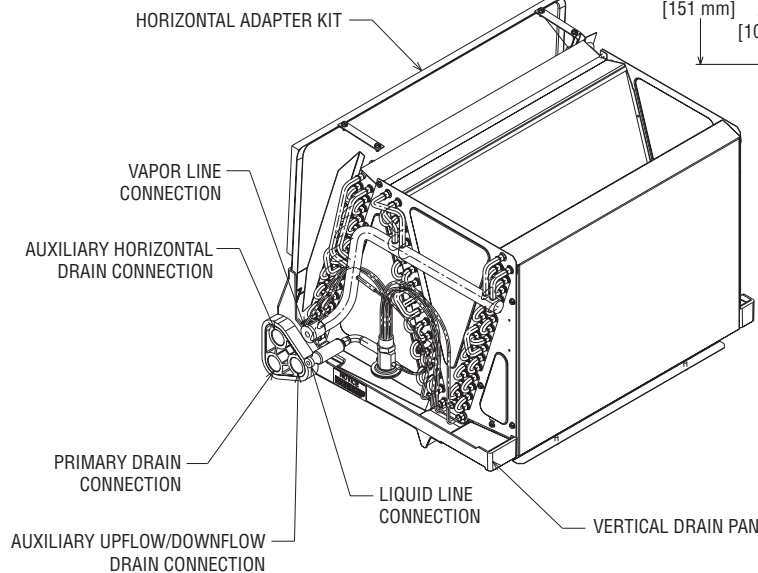
PRIMARY DRAIN CONNECTION
3/4" [19.1 mm] FEMALE PIPE THREAD (NPT)

AUXILIARY DRAIN CONNECTION
3/4" [19.1 mm] FEMALE PIPE THREAD (NPT)
UPFLOW/DOWNFLOW APPLICATION ONLY

LIQUID LINE CONNECTION
COPPER (SWEAT)

VAPOR LINE CONNECTION
COPPER (SWEAT)

DOWNFLOW APPLICATION AND HORIZONTAL RIGHT
INDOOR COIL AND COIL DOOR ROTATES 180°

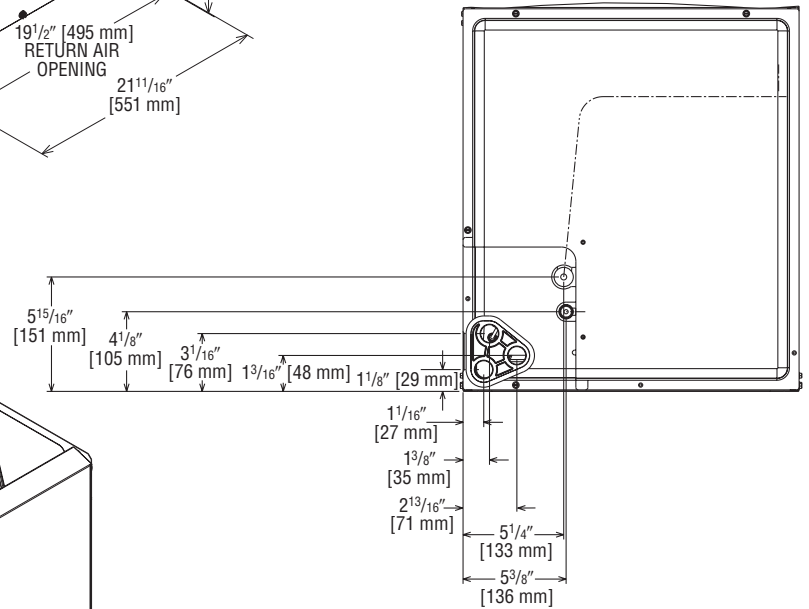


SUPPLY AIR ↑

NOTE: 24" CLEARANCE REQUIRED IN FRONT OF UNIT FOR FILTER AND COIL MAINTENANCE.

Return Air Opening Dimensions

Model Cabinet Size	Return Air Opening Width (Inches)	Return Air Opening Depth/Length (Inches)
21	19 3/8	19 1/2
24	22 7/8	19 1/2



UPFLOW UNIT SHOWN:
UNIT MAY BE INSTALLED UPFLOW,
DOWNFLOW, HORIZONTAL RIGHT
OR LEFT AIR SUPPLY.

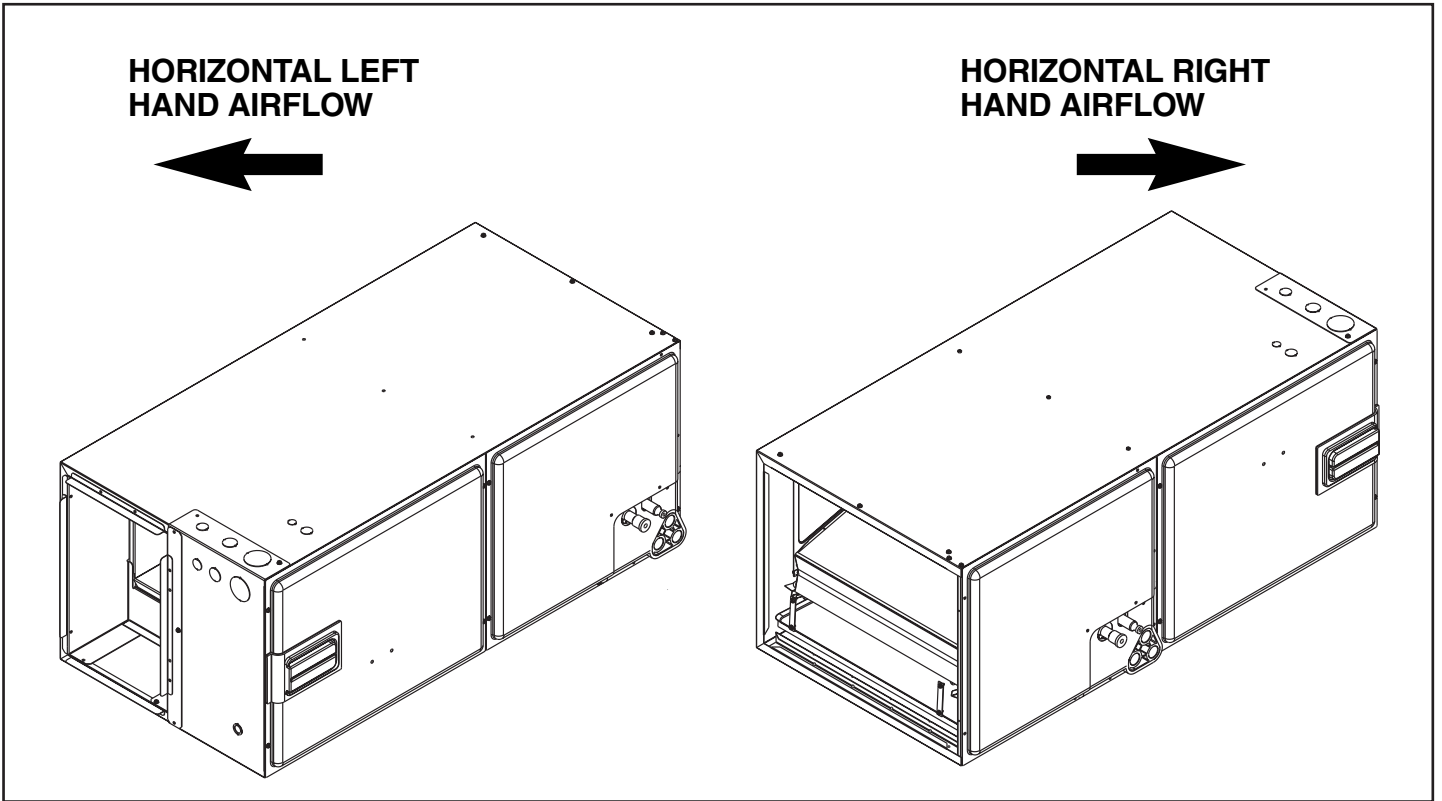
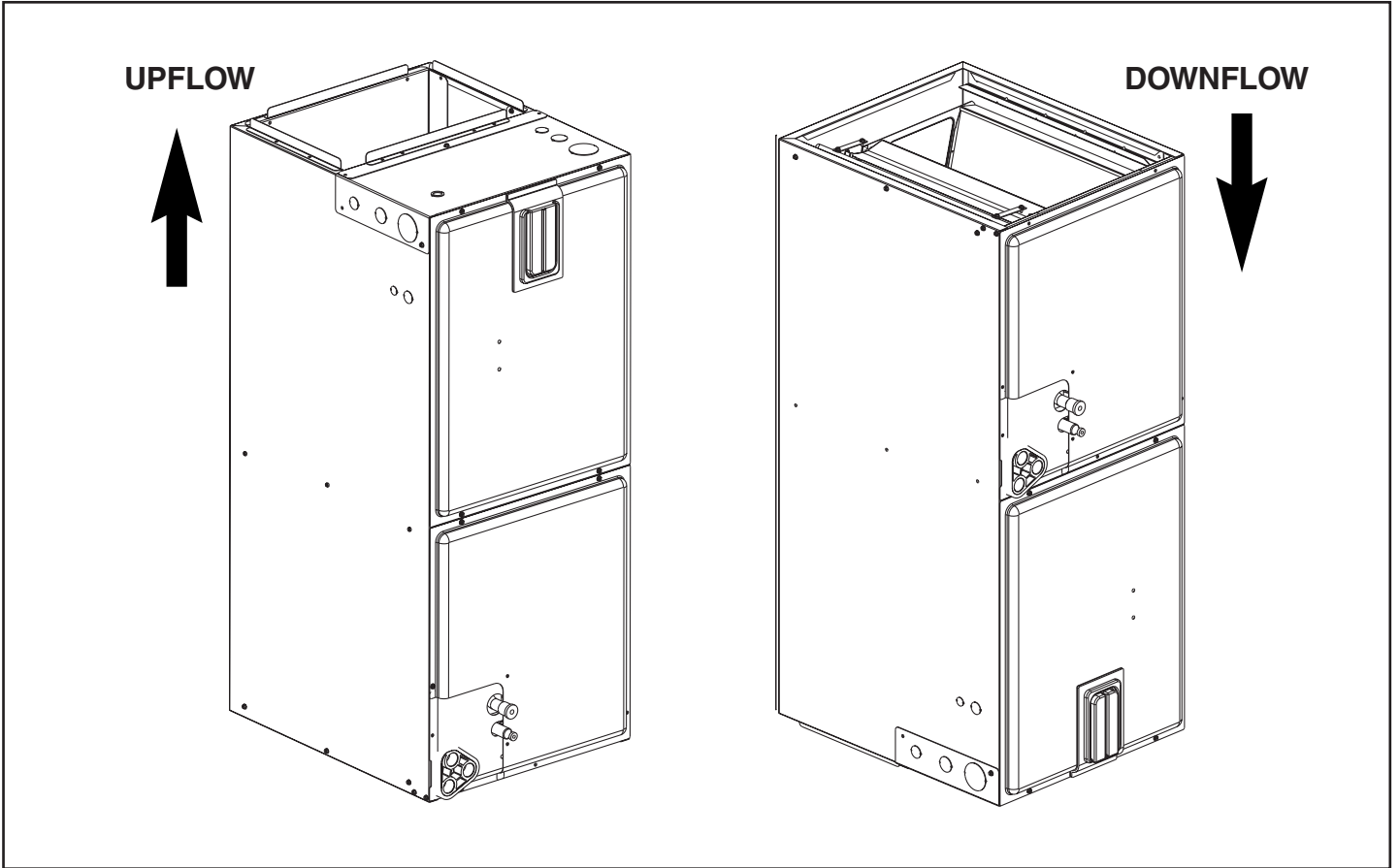
[] Designates Metric Conversions
() Designates Unit with Double Coil Cabinet

Unit Dimensions & Weights

Model	Unit Width "W" In. [mm]	Unit Height "H" In. [mm]	Supply Duct "A" In. [mm]	Nominal Coil Airflow [L/s]				Unit Weight/Shipping Weight (Lbs.) [kg]
				1st Stage		2nd Stage		
				ODD*	Normal	ODD*	Normal	Unit With Coil (Max. KW)
2421	21 [533]	42 1/2 [1080]	19 1/2 [495]	480 [227]	625 [295]	640 [302]	775 [366]	92/106 [42/48]
3621	21 [533]	42 1/2 [1080]	19 1/2 [495]	720 [340]	900 [425]	960 [453]	1200 [565]	92/106 [42/48]
4824	24 1/2 [622]	55 1/2 [1410]	23 [584]	960 [453]	1200 [566]	1280 [804]	1625 [767]	162/180 [73/81]
6024	24 1/2 [622]	55 1/2 [1410]	23 [584]	1040 [491]	1375 [649]	1360 [642]	1675 [791]	181/198 [82/90]

*Maximum dehumidification airflow.

Airflow Directions



Airflow Performance

Airflow performance data is based on cooling performance with a coil and no filter in place. Select performance table for appropriate unit size, voltage and number of electric heaters to be used. Make sure external static applied to unit allows operation within the minimum and maximum limits shown in table

below for both cooling and electric heat operation. For optimum blower performance, operate the unit in the .1 [2.54 mm] to 1.00 inches [25.4 mm] W.C. external static range. Units with coils should be applied with a minimum of .1 inch [2.54 mm] W.C., external static.

Airflow Performance and Electrical Data

Nominal Cooling Capacity	Cabinet Size	Blower		Nominal Airflow CFM	ECM										
		Size Motor HP	Thermostat Input		CFM [L/s] Air Delivery/RPM/Watts-230 Volts										
					External Static Pressure – Inches W.C. [kPa]										
					0.10	0.20	0.30	0.40	0.50	0.60	0.70	0.80	0.90	1.00	
2 Ton	21	10 x 8 1/3	Y1	625	CFM	644 [304]	637 [301]	629 [297]	622 [294]	615 [290]	607 [286]	600 [283]	592 [279]	585 [276]	578 [273]
					RPM	506	567	629	690	751	813	874	935	997	1058
					Watts	49	65	81	97	113	129	145	161	177	193
			Y2	775	CFM	802 [379]	799 [377]	796 [376]	794 [375]	791 [373]	788 [372]	785 [370]	782 [369]	780 [368]	777 [367]
					RPM	577	632	686	741	796	850	905	960	1015	1069
					Watts	78	98	117	137	156	176	195	215	234	254
3 Ton	21	10 x 8 1/2	Y1	900	CFM	903 [426]	915 [432]	924 [436]	929 [438]	931 [439]	929 [438]	924 [436]	916 [432]	904 [427]	888 [419]
					RPM	595	650	704	758	812	867	921	975	1030	1084
					Watts	93	113	132	152	171	191	211	230	250	269
			Y2	1200	CFM	1195 [564]	1205 [569]	1213 [572]	1219 [575]	1222 [577]	1222 [577]	1220 [576]	1216 [574]	1209 [571]	1199 [566]
					RPM	709	755	802	849	896	942	989	1036	1083	1130
					Watts	184	209	234	260	285	310	336	361	386	411
4 Ton	24	11 x 11 3/4	Y1	1200	CFM	1265 [597]	1267 [598]	1267 [598]	1265 [597]	1263 [596]	1258 [594]	1252 [591]	1245 [588]	1236 [583]	1225 [578]
					RPM	548	594	641	688	734	781	827	874	921	967
					Watts	139	167	195	222	250	278	306	333	361	389
			Y2	1625	CFM	1617 [763]	1616 [763]	1616 [763]	1615 [762]	1614 [762]	1614 [762]	1613 [761]	1613 [761]	1612 [761]	1611 [760]
					RPM	642	680	719	757	796	834	872	911	949	988
					Watts	248	284	319	354	390	425	461	496	531	567
5 Ton	24	11 x 11 3/4	Y1	1375	CFM	1377 [650]	1384 [653]	1390 [656]	1394 [658]	1397 [659]	1398 [660]	1397 [659]	1395 [658]	1392 [657]	1387 [655]
					RPM	575	621	666	712	757	802	848	893	938	984
					Watts	172	203	235	266	298	329	360	392	423	454
			Y2	1675	CFM	1662 [784]	1674 [790]	1683 [794]	1691 [798]	1697 [801]	1700 [802]	1701 [803]	1700 [802]	1696 [800]	1690 [798]
					RPM	662	703	744	784	825	866	906	947	988	1028
					Watts	284	322	359	397	435	472	510	548	585	623

IMPORTANT: Observe airflow operating limits. Do not operate above 1.0 in. W.C. system external static.

[] Designates Metric Conversions

Blower Motor Electrical Data

Nominal Cooling Capacity Tons	HP [W]	Voltage	Phase	Hertz	RPM	Circuit Amps.	Minimum Circuit Ampacity	Maximum Circuit Protector
2	1/3 [249]	208/230	1	60	300-1100	1.7	4.0	15
3	1/2 [373]	208/230	1	60	300-1100	3.4	6.0	15
4	3/4 [559]	208/230	1	60	300-1100	4.9	9.0	15
5	3/4 [559]	208/230	1	60	300-1100	4.9	9.0	15

Electric Heat Electrical Data

Installation of the UL Listed original equipment manufacturer provided heater kits listed in the table below is recommended for all auxiliary heating requirements.

Air Handler Cabinet Size/ Cooling Capacity	Manufacturer Model Number	Type Supply Circuit	Voltage	PH/HZ	Heater kW	Heater AMPS	Motor Ampacity	Maximum Circuit Protection	Minimum Circuit Ampacity
21" / 2 Ton	RXBH-24A05J	Single	208/240	1/60	3.6/4.8	17.3/20.0	1.7	25/30	24/28
	RXBH-24A07J	Single	208/240	1/60	5.4/7.2	26.0/30.0	1.7	35/40	35/40
	RXBH-24A10J	Single	208/240	1/60	7.2/9.6	34.6/40.0	1.7	50/60	46/53
21" / 3 Ton	RXBH-24A05J	Single	208/240	1/60	3.6/4.8	17.3/20.0	3.4	30/30	26/30
	RXBH-24A07J	Single	208/240	1/60	5.4/7.2	26.0/30.0	3.4	40/45	37/42
	RXBH-24A10J	Single	208/240	1/60	7.2/9.6	34.6/40.0	3.4	50/60	48/55
	RXBH-24A15J	Single	208/240	1/60	10.8/14.4	51.9/60.0	3.4	70/80	70/80
		MULTI.CKT 1	208/240	1/60	3.6/4.8	17.3/20.0	3.4	30/30	26/30
		MULTI.CKT 2	208/240	1/60	7.2/9.6	34.6/40.0	0.0	45/50	44/50
	RXBH-24A18J	Single	208/240	1/60	12.8/17	61.6/70.8	3.4	90/100	82/93
		MULTI.CKT 1	208/240	1/60	6.4/8.5	30.8/35.4	3.4	45/50	43/49
		MULTI.CKT 2	208/240	1/60	6.4/8.5	30.8/35.4	0.0	40/45	39/45
24" / 4 Ton	RXBH-24A05J	Single	208/240	1/60	3.6/4.8	17.3/20.0	4.9	30/35	28/32
	RXBH-24A07J	Single	208/240	1/60	5.4/7.2	26.0/30.0	4.9	40/45	39/44
	RXBH-24A10J	Single	208/240	1/60	7.2/9.6	34.6/40.0	4.9	50/60	50/57
	RXBH-24A15J	Single	208/240	1/60	10.8/14.4	51.9/60.0	4.9	80/90	72/82
		MULTI.CKT 1	208/240	1/60	3.6/4.8	17.3/20.0	4.9	30/35	28/32
		MULTI.CKT 2	208/240	1/60	7.2/9.6	34.6/40.0	0	45/50	44/50
	RXBH-24A18J	Single	208/240	1/60	12.8/17	61.6/70.8	4.9	90/100	84/95
		MULTI.CKT 1	208/240	1/60	6.4/8.5	30.8/35.4	4.9	45/60	45/51
		MULTI.CKT 2	208/240	1/60	6.4/8.5	30.8/35.4	0	40/45	39/45
	RXBH-24A20J	Single	208/240	1/60	14.4/19.2	69.2/80.0	4.9	100/110	93/107
		MULTI.CKT 1	208/240	1/60	7.2/9.6	34.6/40.0	4.9	50/60	50/57
		MULTI.CKT 2	208/240	1/60	7.2/9.6	34.6/40.0	0	45/50	44/50
	RXBH-24A25J (4 ton only)	Single	208/240	1/60	18.0/24.0	87.0/99.9	4.9	125/150	115/132
		MULTI.CKT 1	208/240	1/60	6.0/8.0	29.0/33.3	4.9	45/50	43/48
		MULTI.CKT 2	208/240	1/60	6.0/8.0	29.0/33.3	0	40/45	37/42
MULTI.CKT 3		208/240	1/60	6.0/8.0	29.0/33.3	0	40/45	37/42	

- Supply circuit protective devices may be fuses or "HACR" type circuit breakers.
- Largest motor load is included in single circuit and multiple circuit 1.
- If non-standard fuse size is specified, use next size larger standard fuse size.
- J Voltage (230V) single phase air handler is designed to be used with single or three phase 230 volt electric heaters. In the case of connecting 3-phase power to the air handler terminal block without the heater, bring only two leads to the terminal block cap, insulate and fully secure the third lead.

[] Designates Metric Conversions

Electric Heat Electrical Data (Cont.)

Installation of the UL Listed original equipment manufacturer provided heater kits listed in the table below is recommended for all auxiliary heating requirements.

Air Handler Cabinet Size/ Cooling Capacity	Manufacturer Model Number	Type Supply Circuit	Voltage	PH/HZ	Heater kW	Heater AMPS	Motor Ampacity	Maximum Circuit Protection	Minimum Circuit Ampacity
24" / 5 Ton	RXBH-24A05J	Single	208/240	1/60	3.6/4.8	17.3/20.0	4.9	30/35	28/32
	RXBH-24A07J	Single	208/240	1/60	5.4/7.2	26.0/30.0	4.9	40/45	39/44
	RXBH-24A10J	Single	208/240	1/60	7.2/9.6	34.6/40.0	4.9	50/60	50/57
	RXBH-24A15J	Single	208/240	1/60	10.8/14.4	51.9/60.0	4.9	80/90	72/82
		MULTI.CKT 1	208/240	1/60	3.6/4.8	17.3/20.0	4.9	30/35	28/32
		MULTI.CKT 2	208/240	1/60	7.2/9.6	34.6/40.0	0	45/50	44/50
	RXBH-24A18J	Single	208/240	1/60	12.8/17	61.6/70.8	4.9	90/100	84/95
		MULTI.CKT 1	208/240	1/60	6.4/8.5	30.8/35.4	4.9	45/60	45/51
		MULTI.CKT 2	208/240	1/60	6.4/8.5	30.8/35.4	0	40/45	39/45
	RXBH-24A20J	Single	208/240	1/60	14.4/19.2	69.2/80.0	4.9	100/110	93/107
		MULTI.CKT 1	208/240	1/60	7.2/9.6	34.6/40.0	4.9	50/60	50/57
		MULTI.CKT 2	208/240	1/60	7.2/9.6	34.6/40.0	0	45/50	44/50
	RXBH-24A25J	Single	208/240	1/60	18.0/24.0	87.0/99.9	4.9	125/150	115/132
		MULTI.CKT 1	208/240	1/60	6.0/8.0	29.0/33.3	4.9	45/50	43/48
		MULTI.CKT 2	208/240	1/60	6.0/8.0	29.0/33.3	0	40/45	37/42
		MULTI.CKT 3	208/240	1/60	6.0/8.0	29.0/33.3	0	40/45	37/42
	RXBH-24A30J	Single	208/240	1/60	21.8/28.8	103.8/120	4.9	135/168	150/175
		MULTI.CKT 1	208/240	1/60	7.2/9.6	34.8/40.0	4.9	49/56	50/60
		MULTI.CKT 2	208/240	1/60	7.2/9.6	34.8/40.0	0	44/50	45/50
		MULTI.CKT 3	208/240	1/60	7.2/9.5	34.8/40.0	0	44/50	45/50

• Supply circuit protective devices may be fuses or "HACR" type circuit breakers.

• Largest motor load is included in single circuit and 1 multiple circuit 1.

• If non-standard fuse size is specified, use next size larger standard fuse size.

• J Voltage (230V) single phase air handler is designed to be used with single or three phase 230 volt electric heaters. In the case of connecting 3-phase power to the air handler terminal block without the heater, bring only two leads to the terminal block cap, insulate and fully secure the third lead.

Electrical Wiring

Power Wiring

- Field wiring must comply with the National Electrical Code (C.E.C. in Canada) and any applicable local ordinance.
- Supply wiring must be 75°C minimum copper conductors only.
- See electrical data for product Ampacity rating and Circuit Protector requirement.

Grounding

- This product must be sufficiently grounded in accordance with National Electrical Code (C.E.C. in Canada) and any applicable local ordinance.
- A grounding lug is provided.

Accessories-Kits—Parts

• Combustible Floor Base RXHB-

Model Cabinet Size	Combustible Floor Base Model Number
21	RXHB-21
24	RXHB-24

Nominal Cooling Capacity-Tons	Auxiliary Horizontal Overflow Pan Accessory Model Number
2 - 3	RXBM-AC48
4 - 5	RXBM-AC61

- **Jumper Bar Kit 3 Ckt. to 1 Ckt. RXBJ-A31** is used to convert single phase multiple three circuit units to a single supply circuit. Kit includes cover and screw for line side terminals.
- **Jumper Bar Kit 2 Ckt. to 1 Ckt. RXBJ-A21** is used to convert single phase multiple two circuit units to a single supply circuit. Kit includes cover and screw for line side terminals.
- **Note:** No jumper bar kit is available to convert three phase multiple two circuit units to a single supply circuit.

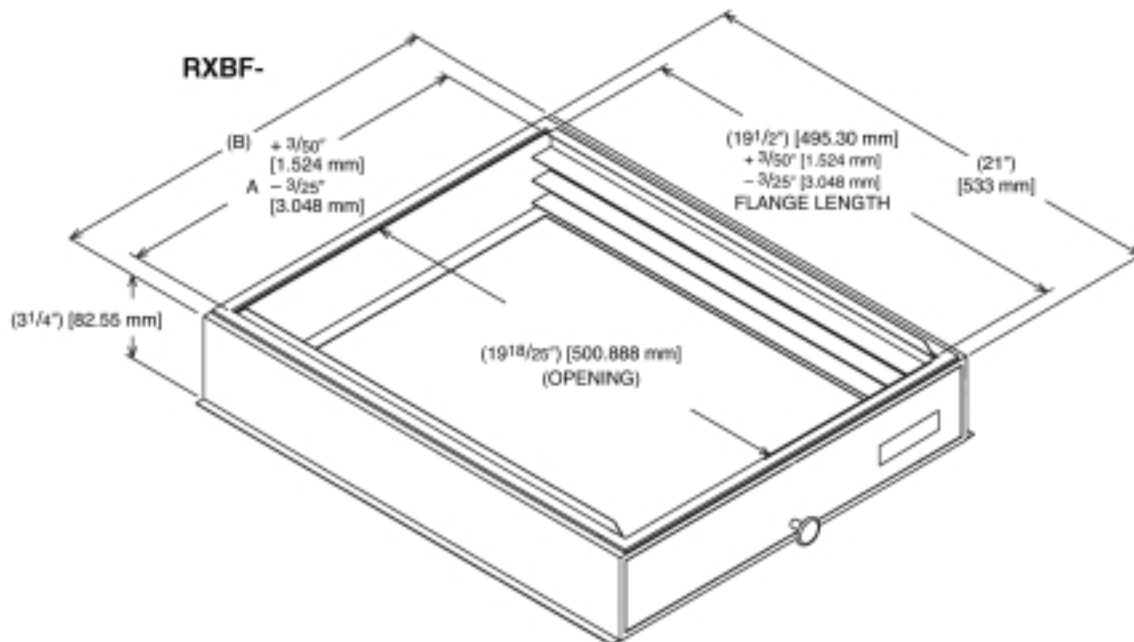
- **Auxiliary Electric Heater Kits RXBH-**
Heater Kits include circuit breakers which meet UL and cUL requirements for service disconnect. See the Electric Heat Electrical Data in this specification sheet for specific Heater Kit Model numbers.

• External Filter Base RXHF-

Model Cabinet Size	Filter Size In. [mm]	Part Number ①	A	B
21	20 x 20 [508 x 508]	RXHF-21	19.20	21.00
24	25 x 20 [635 x 508]	RXHF-24	22.70	25.50

[] Designates Metric Conversions

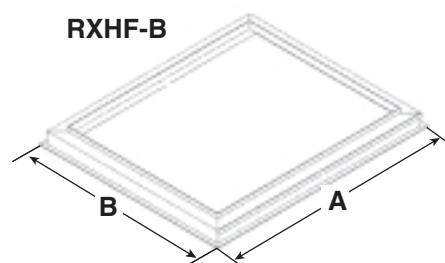
① Accommodates 1" or 2" filter



• External Filter Base RXHF-B

Model Cabinet Size	Filter Size In. [mm]	Part Number ①	A	B
21	20 x 20 [508 x 508]	RXHF-B21	20.40	20.77
24	25 x 20 [635 x 508]	RXHF-B24	25.00	21.04

① Accommodates 1" filter



NOTES

NOTES

Before proceeding with installation, refer to installation instructions packaged with each model, as well as complying with all Federal, State, Provincial, and Local codes, regulations, and practices.

**RHEEM
AIR CONDITIONING
DIVISION**

5600 Old Greenwood Road, Fort Smith, Arkansas 72908



"In keeping with its policy of continuous progress and product improvement, Rheem reserves the right to make changes without notice."