

STERLING®

A KOHLER COMPANY

ACCORD™

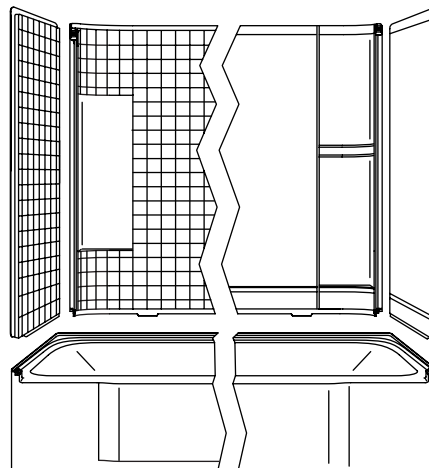
Features

- Compression molded from Sterling's exclusive solid Vikrell® material
- Modular 4-piece design
- Pivot "snap together" installation
- Caulkless installation
- Durable high gloss finish
- Wall surround available with smooth finish or glazed tile appearance
- 10-year consumer/3-year commercial limited warranty
- 60" (152.4 cm) x 31-1/4" (79.4 cm) x 73-1/4" (186.1 cm) complete unit rough-in dimensions include flanges
- 60" (152.4 cm) x 30" (76.2 cm) x 72" (182.9 cm) complete unit finished dimensions
- 15" (38.1 cm) bath depth (floor to top of dam)

60" (152.4 cm) BATH/SHOWER SYSTEM

71140110

ALSO 71140120, 71240110, 71240120



Codes/Standards Applicable

Specified model meets or exceeds the following:

- ANSI Z124.1.2
- IAPMO/UPC
- CSA B45
- ASTM E162
- ASTM E662

Colors/Finishes

- 0: White
- Other: Refer to Price Book for additional colors/finishes

Specified Model

Model	Complete Unit Description	Colors/Finishes	
71140110	Tile finish wall surround and bath with left drain	<input type="checkbox"/> 0	<input type="checkbox"/> Other_____
71140120	Tile finish wall surround and bath with right drain	<input type="checkbox"/> 0	<input type="checkbox"/> Other_____
71240110	Smooth finish wall surround and bath with left drain	<input type="checkbox"/> 0	<input type="checkbox"/> Other_____
71240120	Smooth finish wall surround and bath with right drain	<input type="checkbox"/> 0	<input type="checkbox"/> Other_____

Technical Information

Fixture*:	basin area	top area
Bathing well	46-1/4" (117.5 cm) x 20-1/2" (52.1 cm)	52-1/4" (132.7 cm) x 22-1/2" (57.2 cm)
To overflow	water depth	capacity
	11" (27.9 cm)	34 gal (128.7 L)

* Approximate measurements for comparison only.

Model	door maximum width	door maximum height
71140110 71140120 71240110 71240120	56-3/4" (144.1 cm)	56-1/2" (143.5 cm)

Installation Notes

Install this product according to the installation guide.

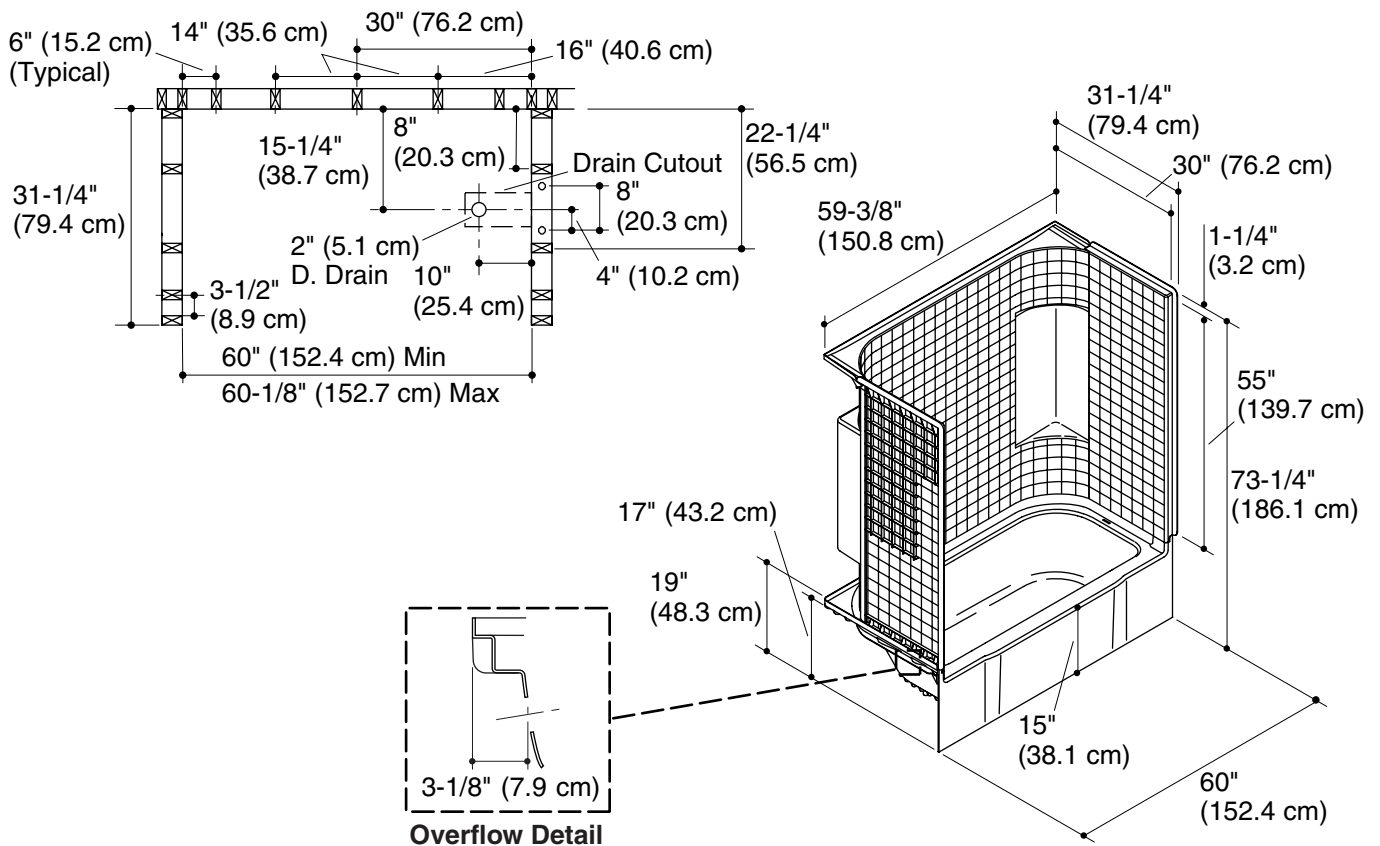
Size the drain cutout to fit the drain assembly that will be used.

End stud positioning is critical.

Studs should be positioned roughly as shown for wall surround installation.

Bath cannot be installed without the wall surround.

Width of back wall at the top transitions from 60" (152.4 cm) at the front to 59-3/8" (150.8 cm) in the back corners. Furring strips approximately 1/4" (6 mm) thick should be used at the back corner studs if drywall is to be installed over the nailing flange.



Product Diagram