

STERLING®

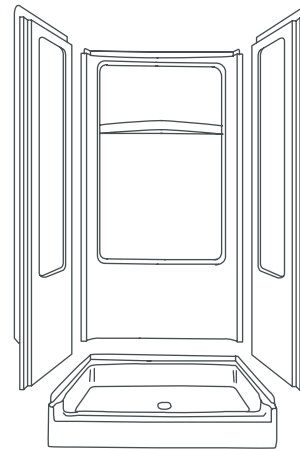
A KOHLER COMPANY

ADVANTAGE™

Features

- Compression molded from our exclusive solid Vikrell® material
- Tongue-and-groove 4-piece modular design allows for easy "snap together" installation
- Durable swirl-gloss finish
- 10-year consumer/3-year commercial limited warranty
- 32-1/4" (81.9 cm) x 35-1/4" (89.5 cm) x 73-1/4" (186.1 cm) complete unit rough-in dimensions include flange
- 32" (81.3 cm) x 34" (86.4 cm) x 72" (182.9 cm) complete unit finished dimensions

32" (81.3 cm) SHOWER RECEPTOR AND WALL SURROUND 62010100



Codes/Standards Applicable

Specified model meets or exceeds the following:

- ASTM E162
- ASTM E662
- ANSI Z124.1.2
- HUD, UM Bulletin 73A
- NAHB Research Foundation, Inc.

Colors/Finishes

- 0: White
- Other: Refer to Price Book for additional colors/finishes

Specified Model

Model	Complete Unit Description	Colors/Finishes	
62010100	32" (81.3 cm) shower receptor and wall surround	<input type="checkbox"/> 0	<input type="checkbox"/> Other_____

Model	Wall Component Description	Colors/Finishes	
62012100	Back wall	<input type="checkbox"/> 0	<input type="checkbox"/> Other_____
62013110	Left end wall	<input type="checkbox"/> 0	<input type="checkbox"/> Other_____
62013120	Right end wall	<input type="checkbox"/> 0	<input type="checkbox"/> Other_____
62015100	End wall set	<input type="checkbox"/> 0	<input type="checkbox"/> Other_____

ADVANTAGE™

Technical Information

Model	Door maximum width	Door maximum height
62010100	29-3/4" (75.6 cm)	67" (170.2 cm)

Installation Notes

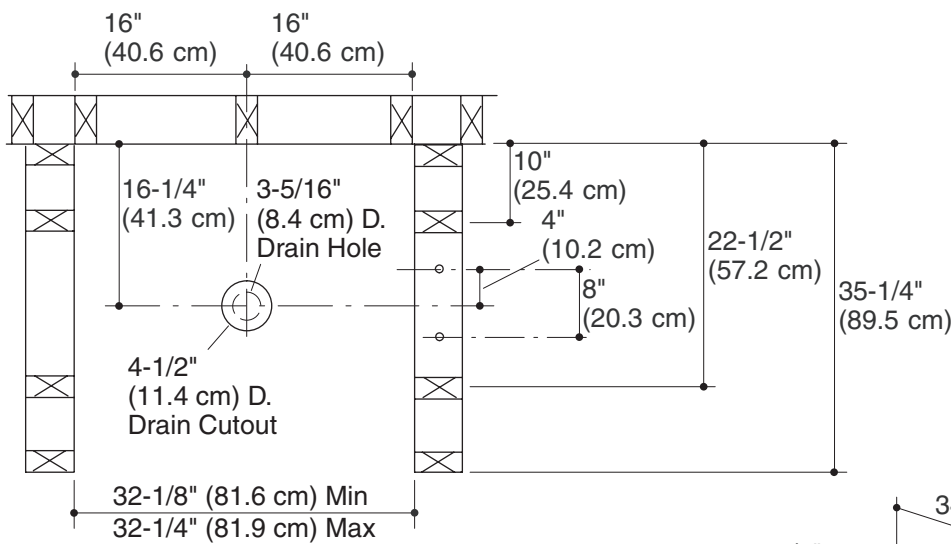
Install this product according to the installation guide.

Size the drain cutout to fit the drain assembly that will be used.

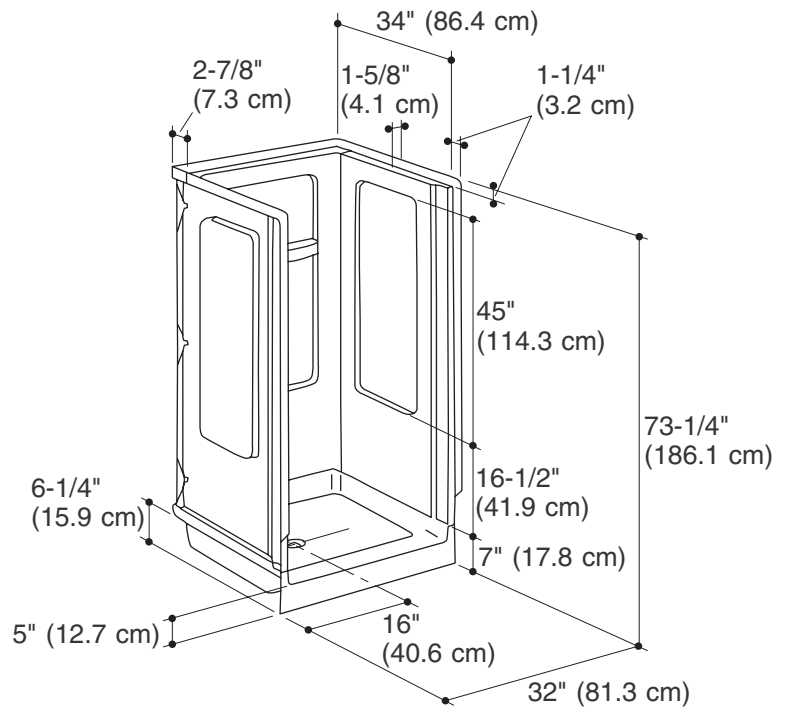
End stud positioning is critical if nailing-in flanges are to be used.

Double studding is recommended for pivot shower door installations.

Studs should be positioned roughly as shown for roofing nail installation.



62010100



Product Diagram