



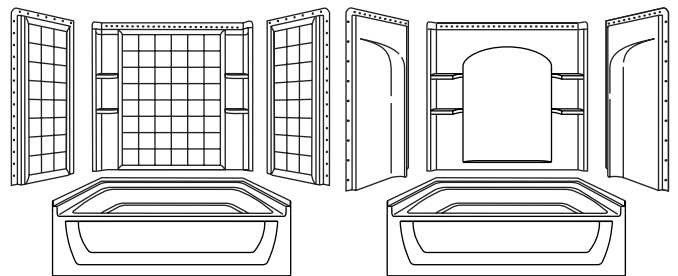
A KOHLER COMPANY

ENSEMBLE™

Features

- Compression molded from Sterling's exclusive solid Vikrell® material
- Bath and integral apron eliminates installation step
- Modular 4-piece design
- Lightly pebbled bottom surface for sure footing
- Tongue-and-groove "snap together" design
- Durable high gloss finish
- 10 year consumer/3 year commercial limited warranty
- 18" (45.7 cm) bath depth (floor to top of dam)
- 2" (5.1 cm) wainscot/tile ledge
- 60" (152.4 cm) x 33-1/4" (84.5 cm) x 75-1/4" (191.1 cm) complete unit rough-in dimensions include flanges
- 60" (152.4 cm) x 32" (81.3 cm) x 74" (188 cm) complete unit finished dimensions

32" (81.3 cm) BATH/SHOWER SYSTEM
71120110
ALSO 71120120, 71220110, 71220120



71120110

71220110

Codes/Standards Applicable

Specified model meets or exceeds the following:

- ASTM E162
- ASTM E662
- ANSI Z124.1.2
- IAPMO/UPC
- CSA International
- CSA B45
- ASTM F462 Slip Resistance

Colors/Finishes

- 0: White
- Other: Refer to Price Book for additional colors/finishes

Specified Model

Model	Complete Unit Description	Colors/Finishes	
71120110	32" (81.3 cm) bath and wall surround, tile wall, left drain	<input type="checkbox"/> 0	<input type="checkbox"/> Other_____
71120120	32" (81.3 cm) bath and wall surround, tile wall, right drain	<input type="checkbox"/> 0	<input type="checkbox"/> Other_____
71220110	32" (81.3 cm) bath and wall surround, curve wall, left drain	<input type="checkbox"/> 0	<input type="checkbox"/> Other_____
71220120	32" (81.3 cm) bath and wall surround, curve wall, right drain	<input type="checkbox"/> 0	<input type="checkbox"/> Other_____

SterlingPlumbing.com

Visit us online for fixture color choices, detailed product information, color photos, installation instructions, care guides, and warranties. Sterling offers additional lines of plumbing products to complement the Sterling product you've chosen. Sign up for the Sterling monthly e-newsletter which showcases our latest product innovations. You may also call our Sterling Plumbing Answer Center from within the USA at 1-888-STERLING in addition to consulting with your local dealer. Sterling. Strong. Professional. Design.

ENSEMBLE™

Technical Information

Fixture*:	basin area	top area
Bathing well	42" (106.7 cm) x 20" (50.8 cm)	54" (137.2 cm) x 26" (66 cm)
To overflow	water depth	capacity
	13-3/4" (34.9 cm)	55 gal (208.2 L)
* Approximate measurements for comparison only.		

Model	door maximum width	door maximum height
71120110 71120120 71220110 71220120	57-11/16" (146.5 cm)	55-1/2" (141 cm)

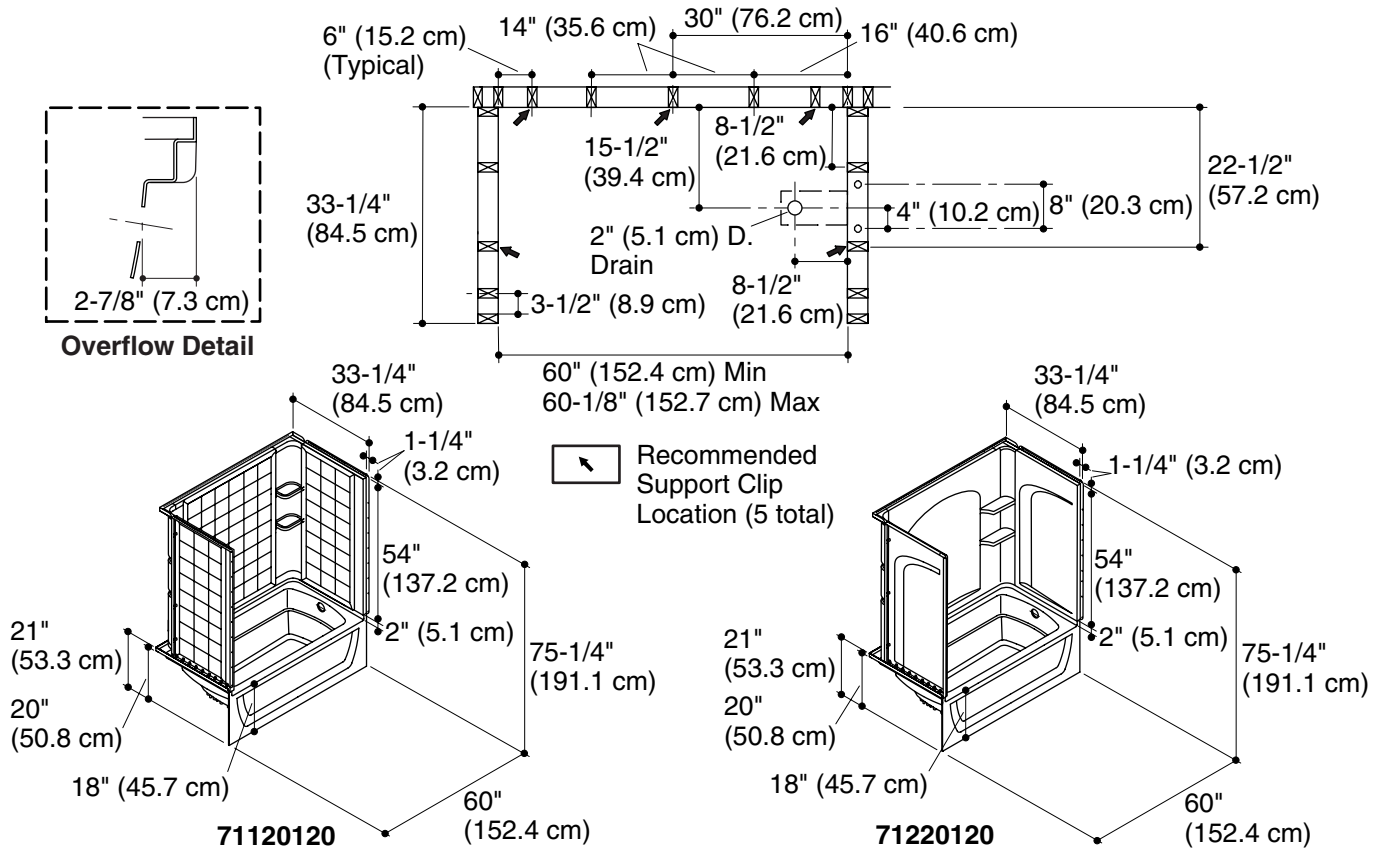
Installation Notes

Install this product according to the installation guide.

Size the drain cutout to fit the drain assembly that will be used.

Stud positioning is critical.

Studs should be positioned roughly as shown for support clip or roofing nail installation.



Product Diagram